

## SPECIFICATION

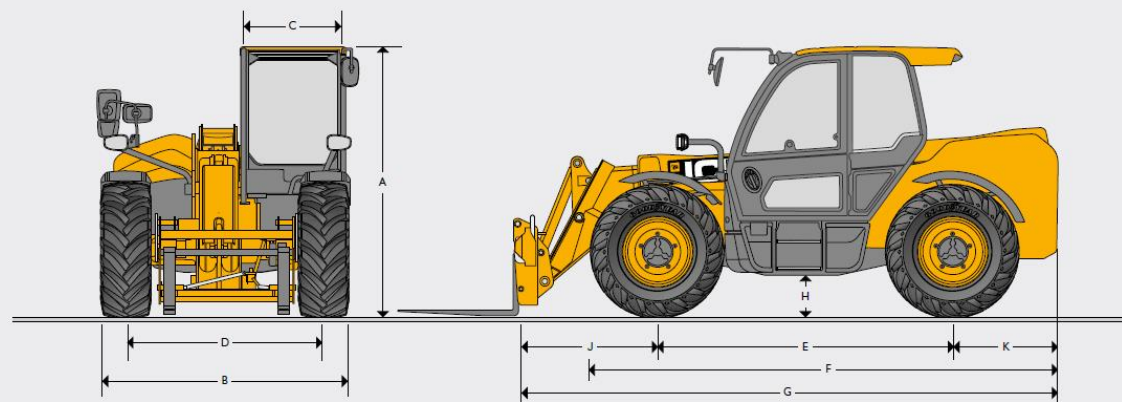


## INDUSTRY & WASTEMASTER LOADALL | 532-70, 542-70, 560-80

Gross Power: 81kW (109hp) – 112kW (150hp) Lift Capacity: 3,200kg – 6,000kg Lift Height: 7.0m – 7.9m



**STATIC DIMENSIONS**



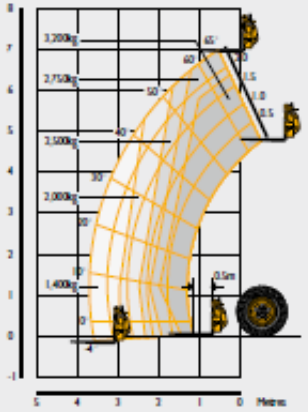
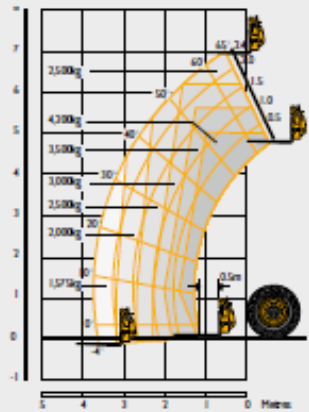
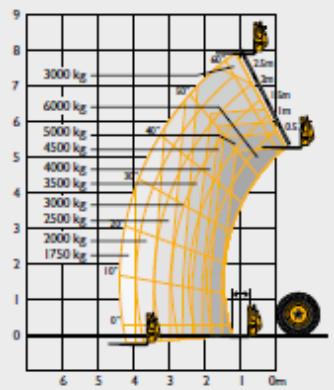
Machine Model		532-70	542-70	560-80
A Overall height	m	2.49	2.49	2.67
B Overall width (over tyres)*	m	2.34	2.34	2.49
C Inside width of cab	m	0.97	0.97	0.97
D Front track	m	1.81	1.81	1.99
E Wheelbase	m	2.75	2.75	2.75
F Overall length to front tyres	m	4.38	4.38	4.55
G Overall length to front carriage	m	4.99	4.99	5.28
H Ground clearance	m	0	0	0.43
J Front wheel centre to carriage	m	1.23	1.23	1.23
K Rear wheel centre to rear face	m	1.01	1.01	1.01
Turn radius – over tyres	m	3.7	3.7	4.1
Carriage rollback angle –for shovel in carry position	degrees	42.6	42.6	43
Carriage dump angle –for shovel at full height	degrees	37.5	37.5	43.5
Weight (IndustryPlus)	kg	7600	8300	10775
Weight (IndustryPro, Wastemaster)	kg	NA	8520	11790
Tyres		460/70 R24	460/70 R24	480/80 R26

Machine shown with roof mounted air conditioning fitted.

\* Dependant upon tyre specified.

**INDUSTRYPLUS**

**LIFT PERFORMANCE**

Machine Model		532-70	542-70	560-80
				
Lift capacity - maximum	kg	3200	4200	6000
Lift capacity to full height	kg	2750	2500	3000
Lift capacity at full reach	kg	1400	1575	1750
Lift height	m	7	7.01	7.9
Forward reach at maximum lift height	m	0.48	0.48	0.92
Maximum forward reach	m	3.72	3.73	4.48
Reach with 1 tonne load	m	3.72	3.73	4.48
Placing height	m	6.3	6.3	6.64
Complies with stability test: ISO 22915-14:2010.				

INDUSTRYPRO WASTEMASTER

LIFT PERFORMANCE

Machine Model		542-70	560-80
		<p>The diagram for the 542-70 model shows lift capacity curves for heights from 0 to 7 meters. The x-axis represents reach in meters from 0 to 5. Capacity values range from 1,375 kg at 1m height to 4,200 kg at 7m height. Key reach values at 7m are 0.5m, 1.0m, and 2.4m.</p>	<p>The diagram for the 560-80 model shows lift capacity curves for heights from 0 to 9 meters. The x-axis represents reach in meters from 0 to 6. Capacity values range from 1,750 kg at 1m height to 6,000 kg at 7m height. Key reach values at 7m are 0.5m, 2m, and 2.5m.</p>
Lift capacity - maximum	kg	4200	6000
Lift capacity to full height	kg	2750	3000
Lift capacity at full reach	kg	1675	1750
Lift height	m	7.01	7.9
Forward reach at maximum lift height	m	0.48	0.92
Maximum forward reach	m	3.73	4.48
Reach with 1 tonne load	m	3.73	4.48
Placing height	m	6.3	6.64
Complies with stability test: ISO 22915-14:2010.			

ENGINE				
Manufacturer		JCB		
Model		DieselMAX		
Emissions level		Stage V		
After treatment		SCR, DOC & DPF		
Aspiration		Turbocharged cooled		
Power Rating				
Power @ 2200rpm	hp (Kw)	109 (81)	130 (97)	150 (112)
Torque rating				
Torque @ 1500rpm	Nm	516	550	600
Specification				
Displacement	ltr	4.8	4.8	4.8
No. of cylinders		4	4	4

HYDRAULICS				
Model		532-70	542-70	560-80
Operating system pressure	bar	250	260	260
Main hydraulics	l/min	140	140	140
Pump type		Variable Displacement		
Hydraulic cycle times				
Lift	seconds	4.5	5.2	7.4
Lower	seconds	6.6	5.7	7.9
Extend	seconds	6.7	6.6	8.1
Retract	seconds	5	5	7.1
Bucket dump	seconds	2.7	2.8	2.6
Bucket crowd	seconds	2.3	2.2	2.8

SERVICE CATEGORIES			
Fuel tank	litres		169
Def tank	litres		20.8
Screenwash tank	litres		6.2
Hydraulic tank	litres		113
Coolant tank	litres		23
Engine oil sump	litres		14

ELECTRICAL SYSTEM			
System voltage	Volt		12
Alternator	Amp/hour		150
Battery capacity	Amp/hour		180

NOISE AND VIBRATION				
		Level	Uncertainty	Measurement conditions
A-weighted emission sound pressure level at operator's position (LpA)	dB(A)	69	+/-1	Determined in accordance with the test method and calculations defined in EN 12053:2001
Exterior sound (Stationary)	dB(A)	73	+/-1	Determined in accordance with the test method defined in 2015/96 (Annex III)
Exterior sound (Moving)	dB(A)	84	+/-1	
Whole body vibration	m/s <sup>2</sup>	1.03	50%	Determined in accordance with the test method defined in EN 13059 (Machine operating duty: Loader work (stone))
Hand-arm vibration	m/s <sup>2</sup>	<2.5	N/A	Determined in accordance with the test method defined in ISO 5349-2: 2001



**JCB**